

Troubleshooting Chart:

Problem	Cause	Solution
1. System does not operate	a. No water b. Clogged water inlet strainer c. Primary float valve failure	a. Open water supply b. Disconnect inlet water line and clean strainer c. Clean or replace with valve parts kit
2. Discharge from siphon breaker	a. Failed siphon breaker	a. Repair or replace siphon breaker
3. Floats are not turning water flow On/Off	a. Unit not level b. Float movement obstructed	a. Make sure unit is level - float hangs free b. Make sure float is not obstructed
4. Solution strength too low	a. Low inlet pressure Inlet tubing kinked	a. Adjust inlet pressure higher using regulator (Turn pressure adjustment screw clockwise to increase pressure) Make sure tubing is not kinked

Note: Colder water temperatures result in a decrease in the chemical dissolve rate.

* Hard water may cause build-up of mineral deposits in water valve. Remove deposits by soaking the valve parts in a deliming solution.



590MD Multi-Disk Solid Dissolver

Package Should Contain:

1. Dissolver Board
2. Floats (2)
3. S-hook (2)
4. Solution outlet ball valve
5. Mounting Kit
6. Instruction Manual

THANK YOU FOR YOUR INTEREST IN OUR PRODUCTS

Please use this equipment carefully and observe all warnings and cautions.

***** NOTE *****

WEAR	protective clothing and eyewear when dispensing chemicals or other materials or when working in the vicinity of all chemicals, filling or emptying equipment, or changing metering tips.
ALWAYS	observe safety and handling instructions of the chemical manufacturer. direct discharge away from you or other persons or into approved containers. install solid dissolver in an area with a floor drain nearby, and connect overflow port with hose to drain. dispense cleaners and chemicals in accordance with manufacturer's instructions. Exercise CAUTION when maintaining your equipment. reassemble equipment according to instruction procedures. Be sure all components are firmly screwed or latched into position.
KEEP	equipment clean to maintain proper operation.

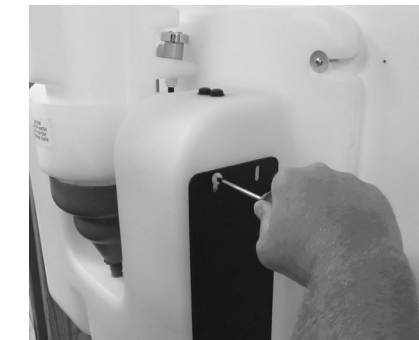
UNIT SPECIFICATIONS:

- Weight: -- 20lb. Dry
-- 40lb. With full chemical bottle and full solution reservoir
- Dimensions: -- 26" W X 24" H X 10" D
- Water Inlet Pressure: 25 psi min, 80 psi max.

Installation and Operation:



1. Drill holes for the four wall anchors with a (9/16") drill, using the mounting board as a template. Make sure the board is level. Install anchors in holes and mount the dissolver with the screws and washers provided.



2. Remove both of the side access panels.



3. Install the floats with the S-hooks inside the unit. Verify float operation is not obstructed.



4. Connect water supply to the inlet ball valve push-in fitting.



5. Install the outlet ball valve using thread sealant.



6. Connect the outlet supply line to the outlet ball valve.



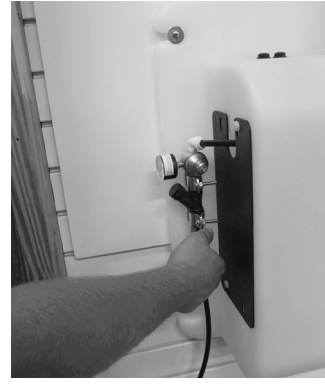
Installation and Operation (Continued):



7. Remove the front cover from both disk holder.

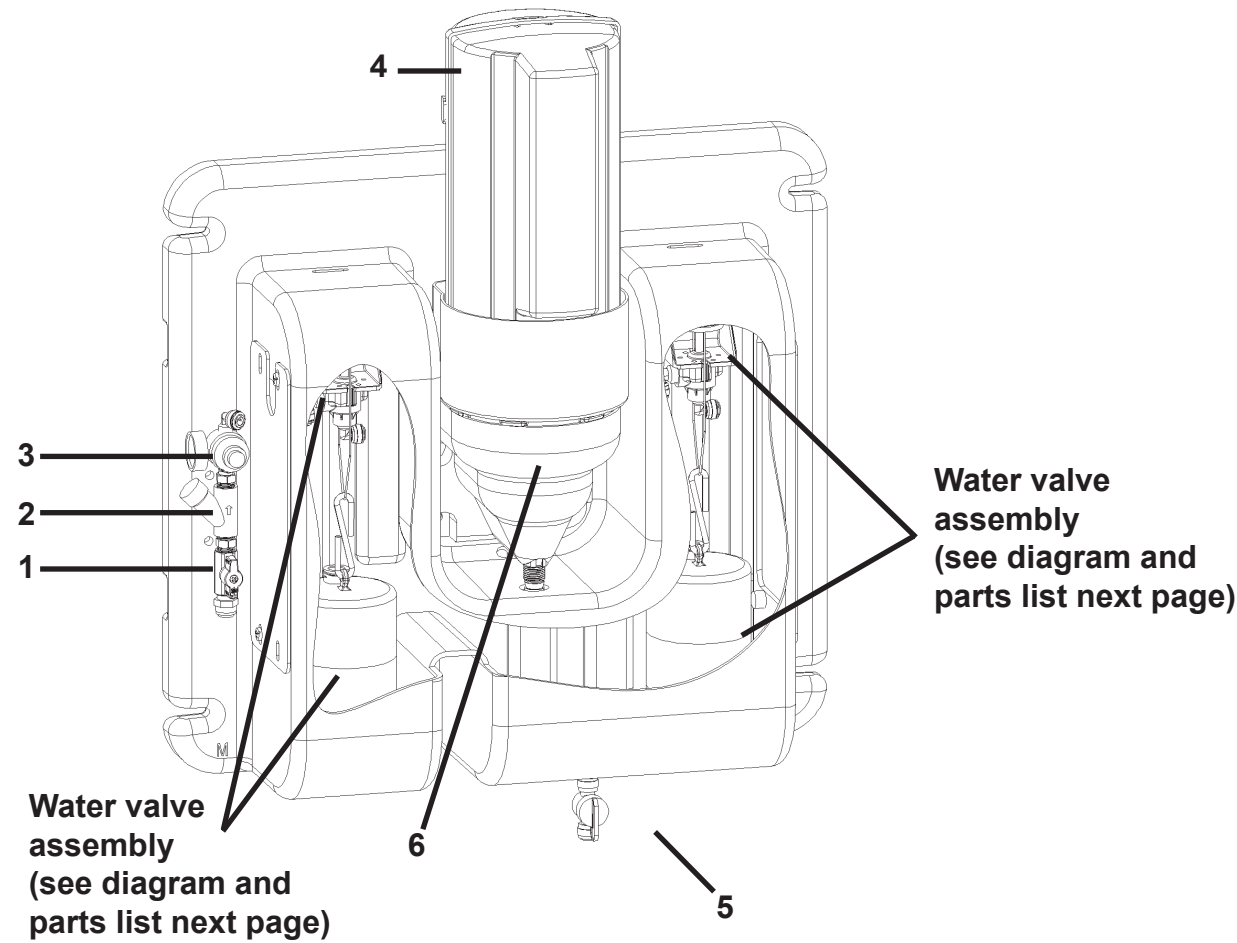


8. Stack chemical disks against back cover. The disk holder will hold 4 disks. Replace the front covers.



9. Turn on the water supply. Adjust the pressure regulator as needed.

MULTI-DISK SOLID DISSOLVER Parts Diagram and List:



Key	Part No.	Description
1	10080320	Ball valve, inlet
2	90087019	Strainer
3	90085155	Pressure regulator/gauge
4	10094926	Chemical cover
5	10092596	Ball valve, suction outlet
6	90086212	Solid bowl assembly

Water Valve Parts Diagram and List:

1. 10091931 Valve parts kit (also includes items 2, 3 & 4)
 - a. Magnet cover
 - b. Magnet cap
 - c. Magnet
 - d. Magnet spring
 - e. Screw
 - f. Valve bracket
 - g. Inlet elbow
 - h. Magnet yoke
2. 665520 Valve parts kit
 - a. Screw
 - b. Washer
 - c. Valve guide
 - d. Armature spring
 - e. Armature
 - f. Diaphragm
3. 520000 Water valve body
4. 10092551 S-hook
5. 5043-A Float

