

Troubleshooting Chart:

| Problem | Cause | Solution |
|---|--|--|
| 1. System does not operate | a. No water b. Clogged water inlet strainer c. Primary float valve failure | a. Open water supply b. Disconnect inlet water line and clean strainer c. Clean or replace with valve parts kiting Drain overflow reservoir to resume operation |
| 2. Discharge from siphon breaker | a. Failed siphon breaker | a. Repair or replace siphon breaker |
| 3. Floats are not turning water flow On/Off | a. Unit not level, float chain twisted | a. Make sure unit is level - float hangs level Make sure float chain is not twisted or obstructed |
| 4. Solution strength too low | a. Low inlet pressure Inlet tubing kinked | a. Adjust inlet pressure higher using reguator (Turn pressure adjustment screw clockwise to increase pressure) Make sure tubing is not kinked |

Note: Colder water temperatures result in a decrease in the chemical dissolve rate.

* Hard water may cause build-up of mineral deposits in water valve. Remove deposits by soaking the valve parts in a deliming solution.



590 Single Solid Dissolver

Package Should Contain:

1. Dissolution Board
2. Floats (2)
3. S-hooks (2)
4. Siphon Breaker
5. Outlet Ball Valve
6. Mounting Kit
7. Instruction Manual

THANK YOU FOR YOUR INTEREST IN OUR PRODUCTS

Please use this equipment carefully and observe all warnings and cautions.

***** NOTE *****

| | |
|---------------|--|
| WEAR | protective clothing and eyewear when dispensing chemicals or other materials or when working in the vicinity of all chemicals, filling or emptying equipment, or changing metering tips. |
| ALWAYS | observe safety and handling instructions of the chemical manufacturer. direct discharge away from you or other persons or into approved containers. install solid dissolver in an area with a floor drain nearby, and connect overflow port with hose to drain. dispense cleaners and chemicals in accordance with manufacturer's instructions. Exercise CAUTION when maintaining your equipment. reassemble equipment according to instruction procedures. Be sure all components are firmly screwed or latched into position. |
| KEEP | equipment clean to maintain proper operation. |

UNIT SPECIFICATIONS:

Weight: -- 20lb. Dry -- 40lb. With full chemical bottle and full solution reservoir
Dimensions: -- 26" W X 24" H X 10" D

Installation and Operation:



1. Drill holes for the four wall anchors with a (9/16") drill, using the mounting board as a template. Make sure the board is level. Install anchors in holes and mount the dissolver with the screws and washers provided.



2. Remove both of the side access panels.



3. Install the floats with the S-hooks inside the unit. Verify float operation is not obstructed.



4. Connect water supply to the inlet ball valve push-in fitting.



5a. Install the outlet ball valve using thread sealant.
5b. Also install the siphon breaker by pushing the 1/4" fitting on the metal tube and the 3/8" fitting on the flexible black tube.



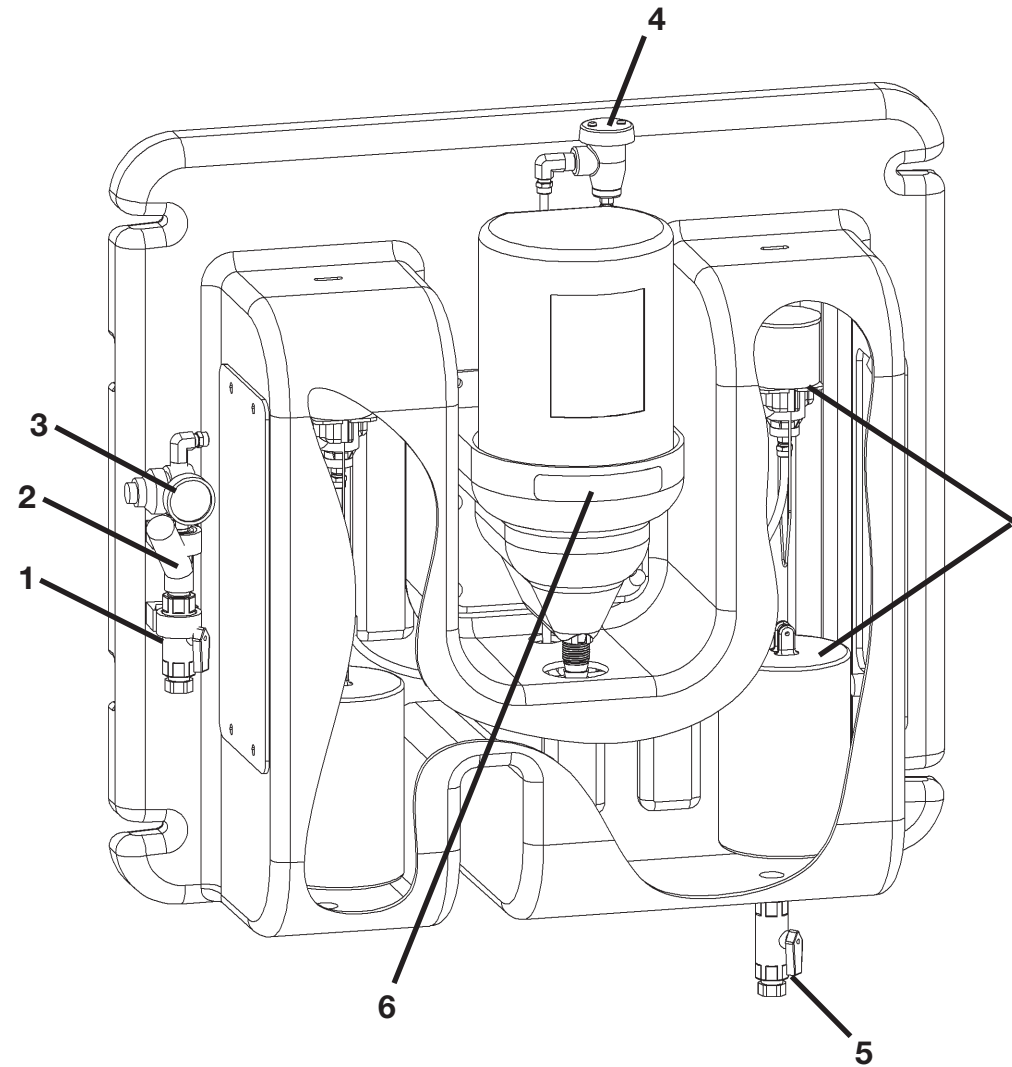
6. Connect the outlet supply line to the outlet ball valve.



Installation and Operation: (continued)

7. Place chemical bottle securely in solid bowl assembly.
8. Turn on water supply valve.
9. Open solution outlet ball valve.
10. The float valves will fill the reservoir with chemical solution any time the reservoir falls below the float level.
11. A backup float valve / reservoir is provided in case of a primary float valve failure.
12. Replace the doors on either side of the reservoir.
13. Refer to chemical product specifications for proper water pressure and spray nozzle configuration.

SOLID DISSOLVER Parts Diagram and List:



Water valve assembly
(see diagram and parts list next page)

| Key | Part No. | Description |
|-----|----------|-----------------------------|
| 1 | 10092590 | Ball valve, inlet |
| 2 | 90087019 | Strainer |
| 3 | 90085155 | Pressure regulator/gauge |
| 4 | 506300 | Siphon breaker |
| 5 | 10092596 | Ball valve, solution outlet |
| 6 | 10094931 | Solid bowl assembly |

Water Valve Parts Diagram and List:

| Key | Part No. | Description |
|-----|----------|-------------------------|
| 1 | | magnet parts kit |
| | | a. screw |
| | | b. washer |
| | | c. magnet cover |
| | | d. magnet cap |
| | | e. magnet |
| | | f. magnet spring |
| | | g. magnet yoke |
| | | h. s-hook |
| 2 | 10092551 | valve parts kit |
| | 665520 | h. valve guide assembly |
| | | i. armature spring |
| | | j. armature |
| | | k. diaphragm |
| 3 | 520000 | water valve body |
| 4 | 5043-A | float |

